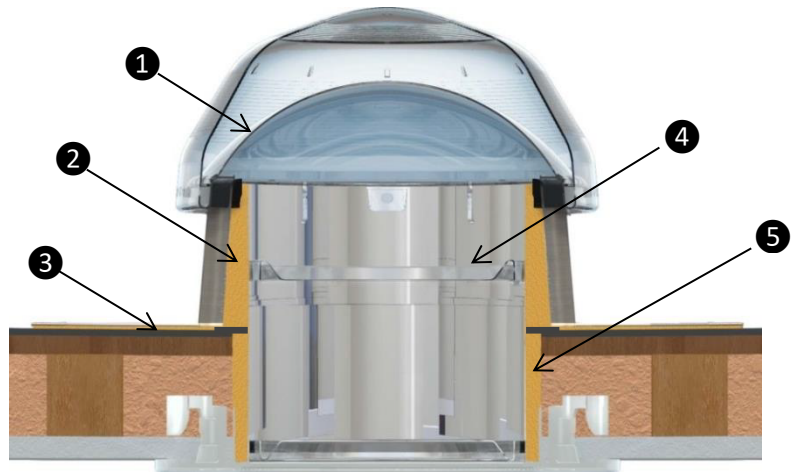


## Datasheet and price list

**Energy Care Optima®** is an optional enhancement available for the BBA Certified Solatube 160DS and 290DS models (pitched or flat roof) to enhance the thermal and acoustic properties of the Solatube Daylighting System to **Passive House standards**



### Energy Care Optima® components:

- |                                       |  |
|---------------------------------------|--|
| <b>1. Inner dome</b>                  | Additional dome provides double-glazed element at roof level           |
| <b>2. Insulated roof flashing</b>     | Twin-skinned, insulated flashing, available for flat or pitched roof   |
| <b>3. Flashing insulator</b>          | Neoprene layer to seal and insulate the roof flashing                  |
| <b>4. Climate control lens</b>        | Creates thermal compartments within the tube                           |
| <b>5. Multi-layer foil insulation</b> | External tube insulation jacket to BS EN12667 & ISO8302 (0.0345 W/m²K) |

Properties	Solatube 160DS + Energy Care Optima	Solatube 290DS + Energy Care Optima
<b>Tube diameter</b>	250 mm	350 mm
<b>Light output (lumen)<sup>1</sup></b>	Average 2228 Max 4086	Average 4541 Max 8193
<b>Lamp equivalent</b> (subject to daylight conditions)	50-220 watts	100-450 watts
<b>Light coverage</b> (metre square)	Up to 9 m <sup>2</sup>	Up to 15 m <sup>2</sup>
<b>Recommended maximum tube length</b>	5 metres	8 metres
<b>U-value*</b>	<b>0.5 W/m²K</b>	<b>0.7 W/m²K</b>
<b>Acoustic value*</b>	<b>48 dB (Rw)</b>	<b>49 dB (Rw)</b>

<sup>1</sup> Light output (lumen values) stated are indicative figures, presented without guarantee or warranty and the user shall employ such information at their own discretion. Values are based on 1,200 hours per year out of the 8,760 in a typical weather year, at London (UK) latitude, with a system length of 1.8m. Lux values may be calculated using Dialux/Relux software (or similar) – please contact Solalighting Limited for IES files if required. \* Test report available on request.

