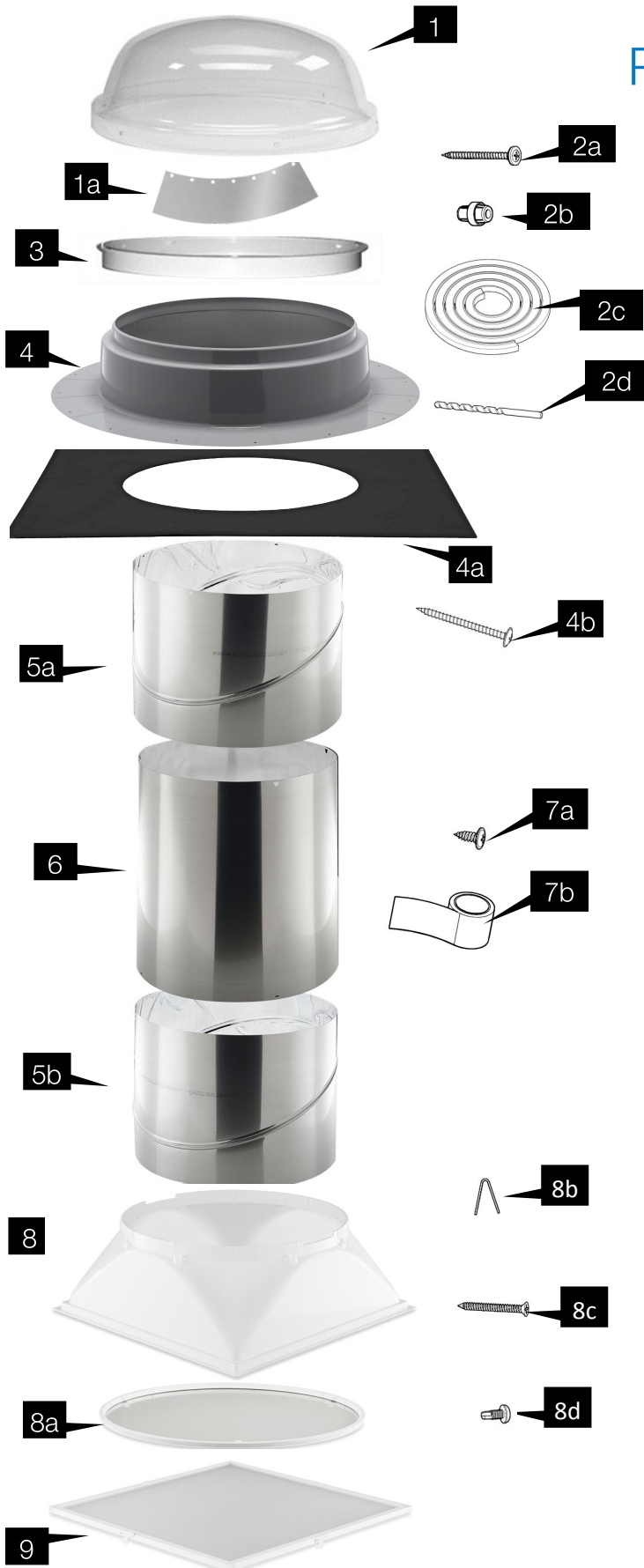




Solatube 330 DS-C (530mm diameter) Closed Ceiling—Suspended ceiling grid

Product Installation Guide



Parts List *		Qty
1	330 DS Dome	(1)
	a. LightTracker™ Reflector	(1)
2	Dome Fasteners:	
	a. Dome Screw (40 mm)	(4)
	b. Dome Spacer	(6)
	c. Dome Seal	(1)
3	d. Drill Bit (2.5 mm)	(1)
	Tube Ring	(1)
4	Roof Flashing as specified (Flat metal shown)	
	a. Flashing insulator	(1)
	b. Flashing Screws (50 mm)	(21)
5	Spectralight Infinity tubes:	
	a. Top tube with Angle Adapter	(1)
6	b. Bottom tube with Angle Adapter	(1)
	610mm long Spectralight Infinity extension tubes—quantity as specified	
7	Tube Fastener Kit:	
	a. Tube Screws (14 mm)	(5)
8	b. 50 mm Foil Tape - 5.5 m	(2)
	Transition box	
8	a. Natural Effect Lens (with separate installation guide)	(1)
	b. Transition box hold down clip	(4)
	c. Drill tip screw (40mm)	(4)
	d. Drill tip screw (16mm)	(2)
9	Diffuser—as specified	(1)

Images left show Solatube 330DS Closed Ceiling with flat metal flashing and Prismatic square diffuser

Warning

Do not proceed with the installation until you have read and understood the entire installation guidelines, including the points below. If you have any questions or require clarification of any installation procedures, please contact your Solatube supplier.

Solatube (or seller) assumes no responsibility or obligation whatsoever for the failure of an architect, contractor, installer or building owner to comply with all applicable laws, ordinances, building codes, energy codes, fire and safety codes and requirements, and adequate safety precautions. Installation of this product should be attempted only by individuals skilled in the use of the tools and equipment necessary for installation. The supplier accepts no responsibility for incorrectly installed or non-appropriate applications. Protect yourself and all persons and property during installation. If you have any doubt concerning your competence or expertise, consult a qualified expert before proceeding. In addition, please check the Health & Safety Executive website for advice on safe working at height <http://www.hse.gov.uk>. Installation is at your own risk.

Solatube product installations may be dangerous owing to the locations of the work to be undertaken. The hazardous conditions include, but are not limited to, the following:

During installation, the Solatube reflective tubes may focus sunlight potentially causing concentrated light and heat. Keep the protective film on the reflective tubing prior to installation and the tubing away from potentially flammable material.

Sheet metal edges may be sharp. Use protective gloves to avoid lacerations.

Installation may require climbing and working at dangerous heights, including on ladders, scaffolding, roofs and in attic spaces. Use extreme caution to minimize risk of accidental injury and property damage including, but not limited to, the points below:

Do not work alone – we recommend a team of at least two people

Clear the area below your workspace of all people, animals and other items.

Avoid working on surfaces that are slippery or wet and use footwear with excellent traction.

Use only strong, well-supported and appropriate ladders or other means of access.

Work only in calm, dry weather.

When in the roof void or on the roof, ensure that your weight is supported at all times with structurally sound framing; dry wall material is not designed to carry a person's weight.

Reduce the risk of fire, electric shock, and personal injury by following basic safety precautions when using electric tools; always wear safety goggles or other suitable eye protection and ensure work area is clear of all electrical wires, gas pipes, water pipes and other obstacles.

When working in the roof void or other dusty areas, use of a mask or respirator is recommended to avoid lung irritation. Roof void spaces may be dark, confined, and subject to extreme temperatures. Beware of sharp protruding objects. Do not attempt installation without having someone within range of your voice or close enough to come to your aid if necessary.

The daylighting system is not designed to withstand the weight of a person, tools or other objects. Walking or placing objects on the system could cause personal injury and/or property damage.

Installation tips & safety advice

Avoid roof dome locations shaded by trees, ridges and chimneys, or near water channels or valleys.

Avoid roof void areas with obstructions such as gas, water or drain pipes, air ducts, flues or furnaces, fixed storage tanks.

Measure the distance between the roof and the ceiling to ensure you have ordered sufficient reflective tubing to cover the distance.

All reflective extension tube joints should overlap a minimum of 50mm and be fixed together using the aluminium tape (and self-tapping screws if required).

All adhesives, seals and tapes should be applied to a dry and dust-free surface. The ideal working temperature is approximately 22°C.

Ensure your roof is in an appropriate condition to support the work necessary for a Solatube installation without damaging its waterproofing properties.

Solatube will generally perform best if the roof dome is located on the south, east or west elevation. If the roof dome is to be positioned on a north facing elevation, positioning the roof dome as high as possible on the roof and placing the LightTracker reflector to face south will enhance performance.

You may choose to support any extension tubes with a wire or similar retainer fixed to the rafters if the extension tubes are at a significant angle away from the vertical.

When the Solatube is initially installed, it is not uncommon for it to condensate lightly on the inside of the dome for the first few weeks until humid air inside the tube dissipates; the dome is designed to collect any internal condensation and direct it to the outside of the flashing. The flashing insulator provided is essential to reduce the possibility of condensation, but in particularly cold climates, it is also advisable to tape a jacket of insulating material (optional extra) around the outside of the extension tubes and up into the void between the top tube assembly and roof flashing; this is to prevent the possibility of condensation build-up on the exterior of the components within the roof void. Please contact your Solatube supplier if you have any questions.

Curb Cap Installation guide

Components: Metal curb cap roof flashing + fixings

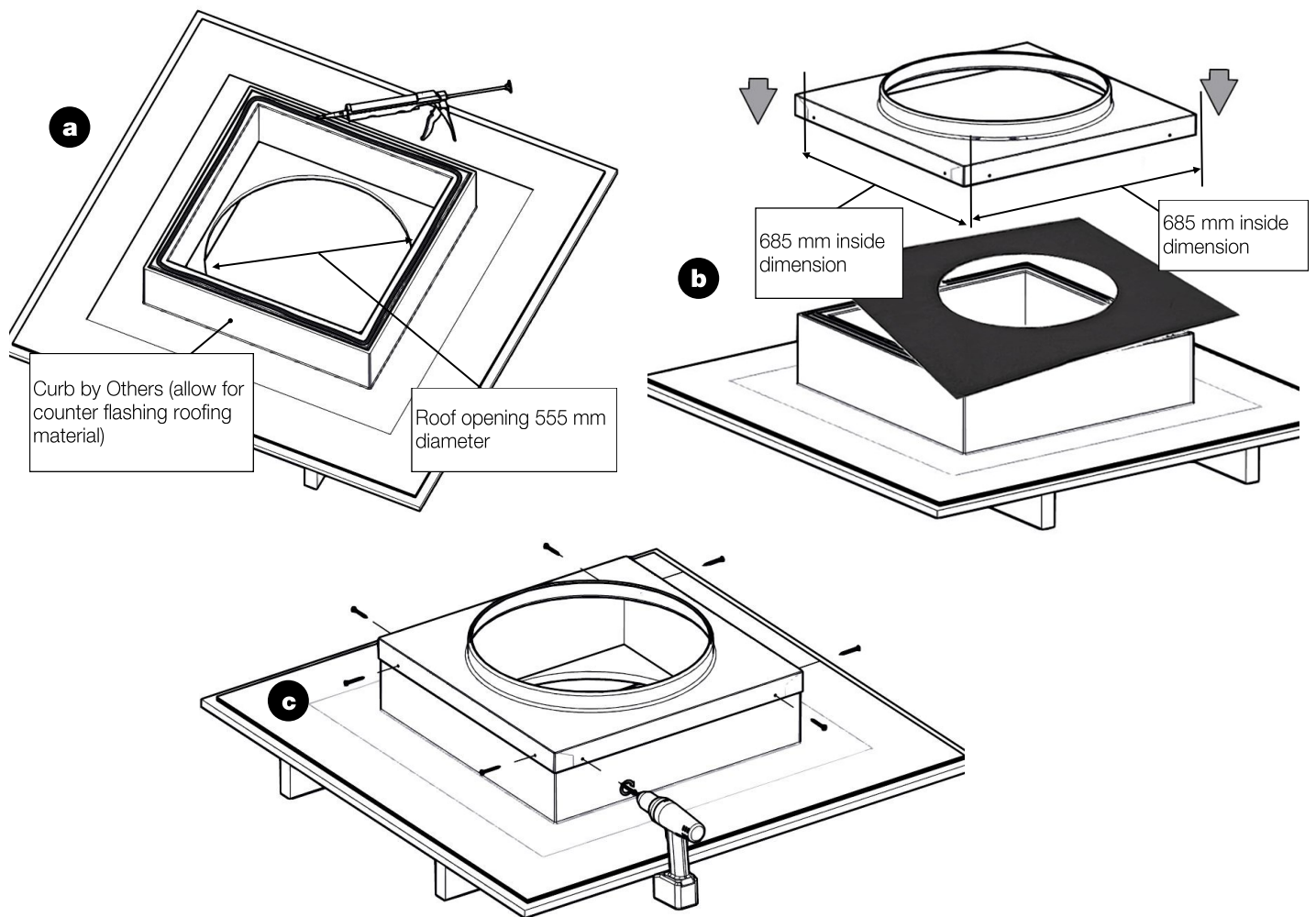


Diagram a

Curb upstand to be provided by contractor or others, roof penetration to have a diameter of 555mm. Outer edge dimension of curb upstand must be no more than 675mm. Apply a bead of sealant around the top edge of the curb upstand.

Diagram b

Lay the flashing insulator centrally over the curb upstand then place the curb cap flashing onto the curb upstand and push downwards to sandwich the flashing insulator between the upstand and the cap. Trim off any excess flashing insulator material that protrudes from the side of the upstand.

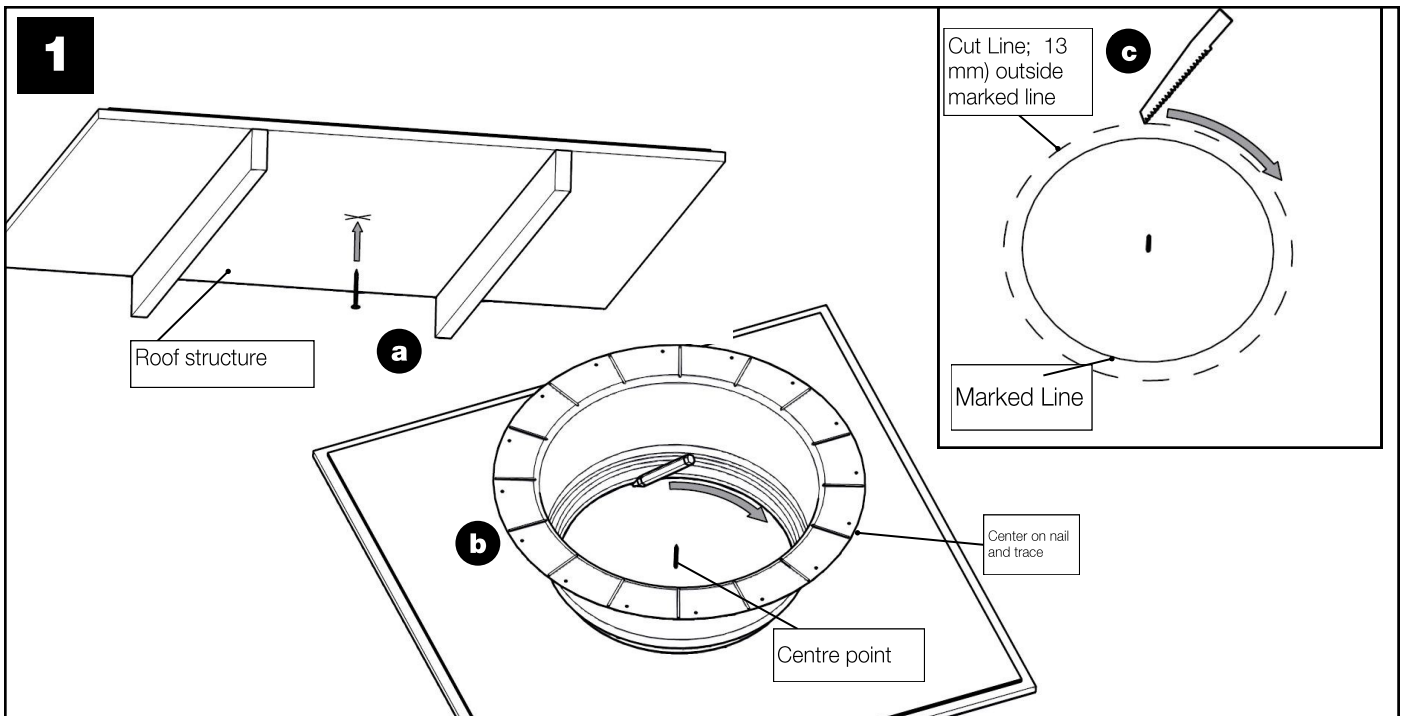
Diagram c

Fix the flashing into position with the flashing screws provided.

[Now proceed to Open Ceiling installation \(page 8\)](#)

Flat Base Plate Flashing Installation guide

Components: Flat base plate roof flashing (200mm high) + fixing kit



Step 1

Diagram a

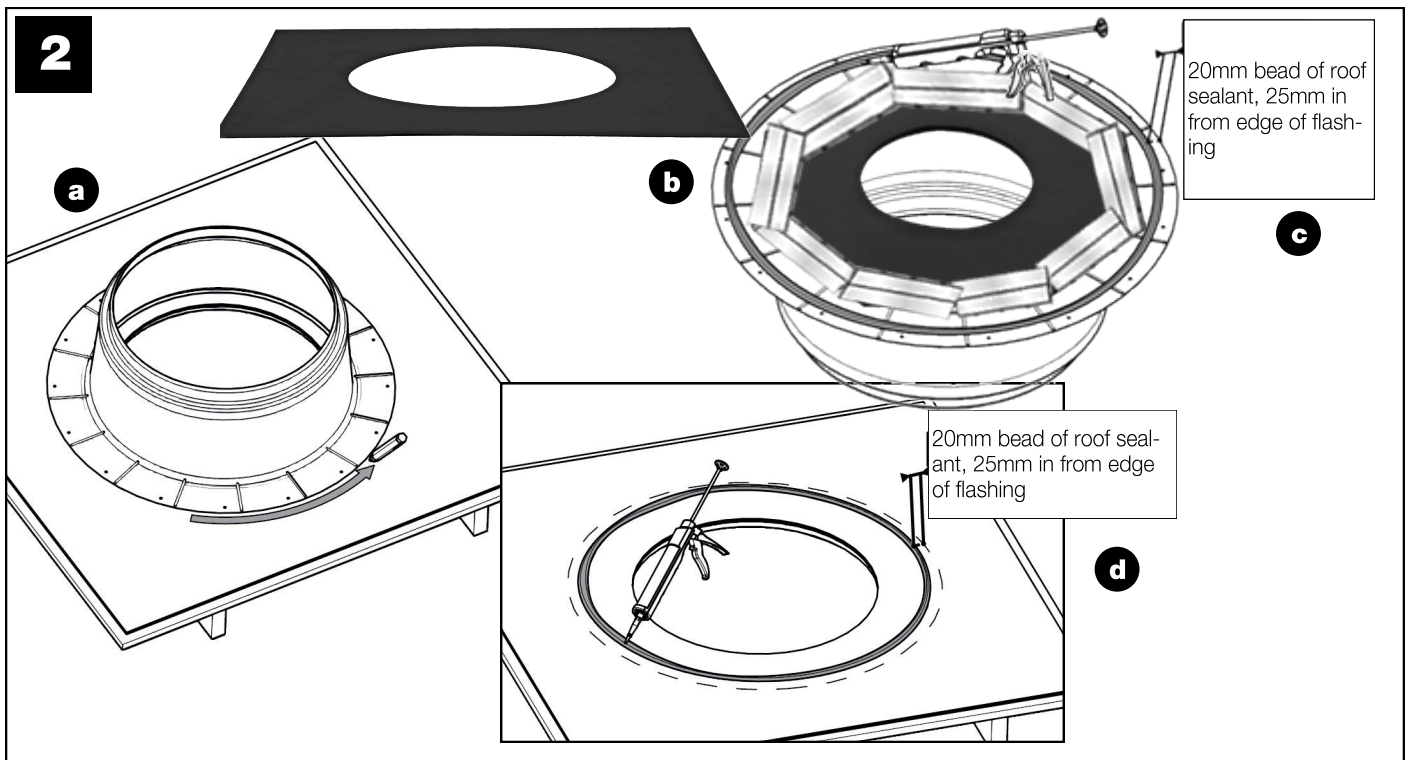
From the underside of the roof structure, identify the centre point of the roof penetration to be cut.

Diagram b

An opening of 555mm diameter is required for the tube to clear the penetration. You may use the internal diameter of the flashing upstand as a template to mark a line on the roof.

Diagram c

Cut your marked line, adding 13mm outside your marked cut line if you have used the flashing upstand as a template.



Step 2

Diagram a

Lay the flashing centrally over the cut roof penetration and mark a guide line around the outside edge of the flashing base plate.

Diagram b

Centre the flashing insulator to underside of roof flashing, trim the flashing insulator so that the flashing insulator (and tape) will be 50mm from the edge of the flashing. Tape the flashing insulator to the underside of the roof flashing. Rub over the tape with a piece of tape backing material to ensure that the tape is well adhered.

Diagram c

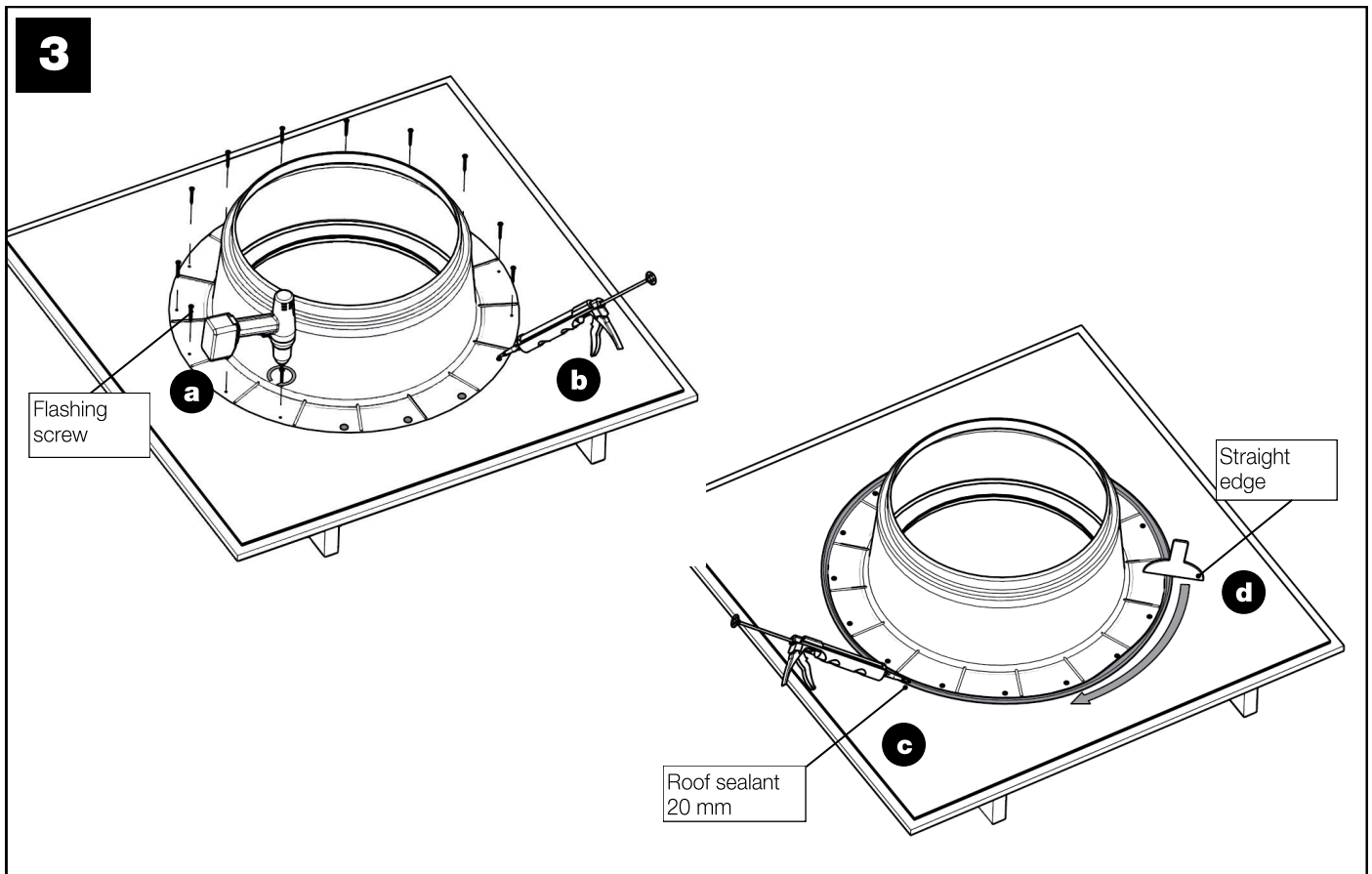
Apply a 20mm thick bead of sealant (provided) 25mm inside your marked guide line.

Diagram d

Apply a 20mm thick bead of sealant to the underside of the flashing 25mm from the edge of the flashing.

[Proceed to Step 3](#)

Flat Base Plate Flashing Installation guide (cont)



Step 3

Diagram a

Using the screws provided, fasten the flashing to the roof.

Diagram b

Apply a blob of sealant over each screw head to seal.

Diagram c

Apply a 20mm thick bead of sealant around the edge of the flashing to make a watertight seal.

Diagram d

Spread the sealant evenly using a straight edge.

Now proceed to Open Ceiling installation (page 8)

Premium Universal Flashing Installation guide

Components: Premium Universal flashing, flashing insulator, High Tack sealant

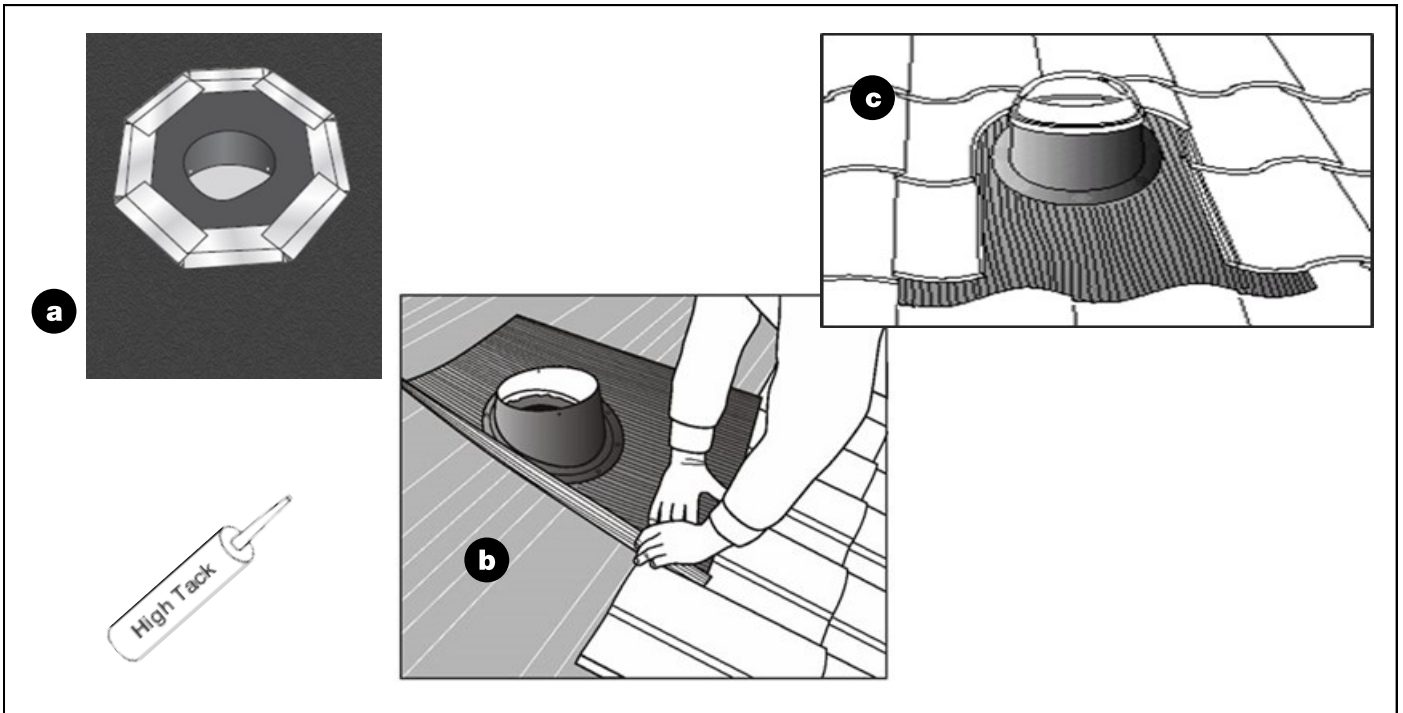


Diagram a

Tape the flashing insulator to the underside of the roof flashing, matching the centres and trim to suit.

Diagram b

At the roof location, remove sufficient tiles to place the roof flashing onto the roof battens, with sufficient tiles below to allow the flashing to overlap adequately. Cut roof batten(s) if necessary to ensure the tube can pass through.

Diagram c

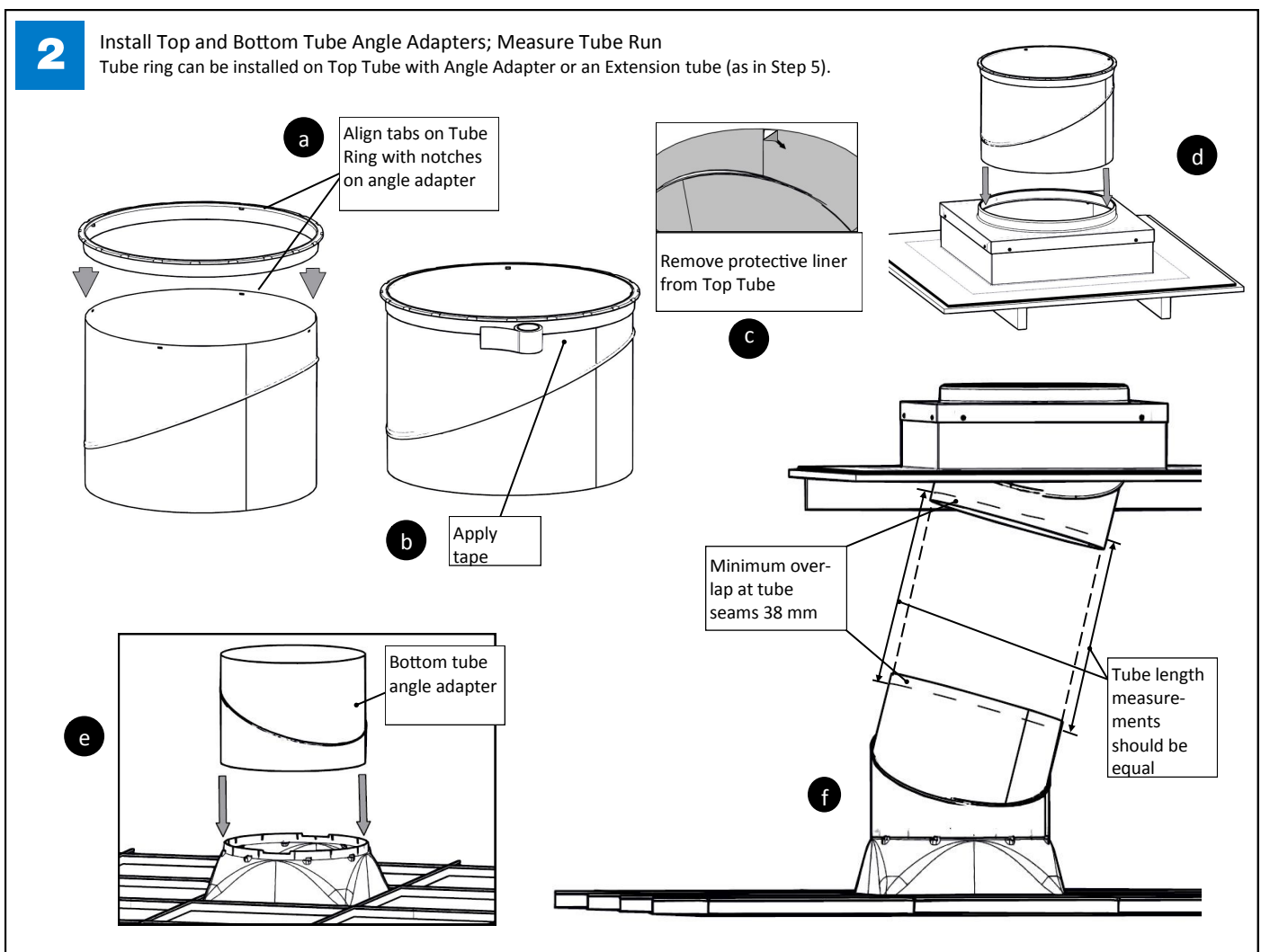
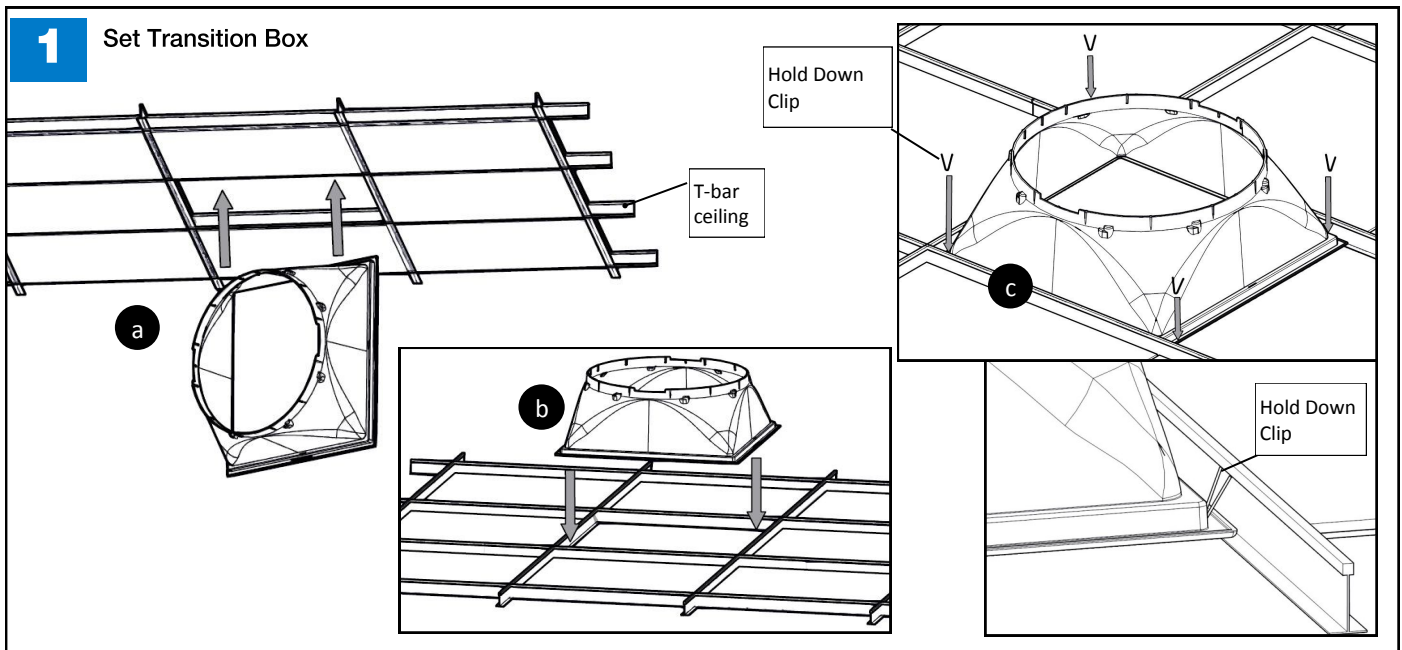
Seal the sides of the flashing; for flat tiles, run a bead of sealant (High Tack) down each side of the flashing when re-affixing tiles to each side of the up-stand. For profiled tiles the flashing sides can be folded upward and over to provide a raised weather return side (diagram b). Then seal the lower edge of the roof flashing by applying a continuous bead of sealant on the tiles beneath the lower edge and sides of the roof flashing. Replace and secure removed tiles and mould the top of the flashing as necessary to fit the underside shape of the tiles.

Ensure all tiles are firmly in position and the roof is fully watertight.

[Now proceed to Open Ceiling installation \(page 8\)](#)

Closed Ceiling—Suspended grid Installation Guide (installation shown using Curb Cap flashing)

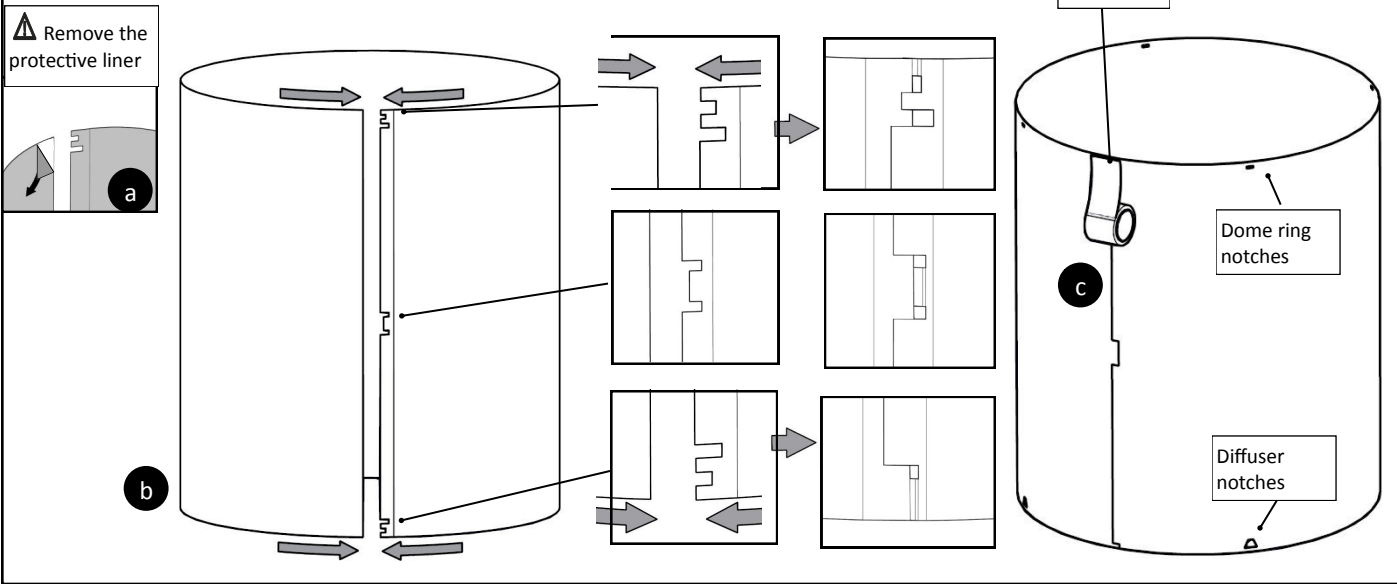
We recommend all taped joints are smoothed with a piece of tape backing material to ensure the tape is well adhered



3

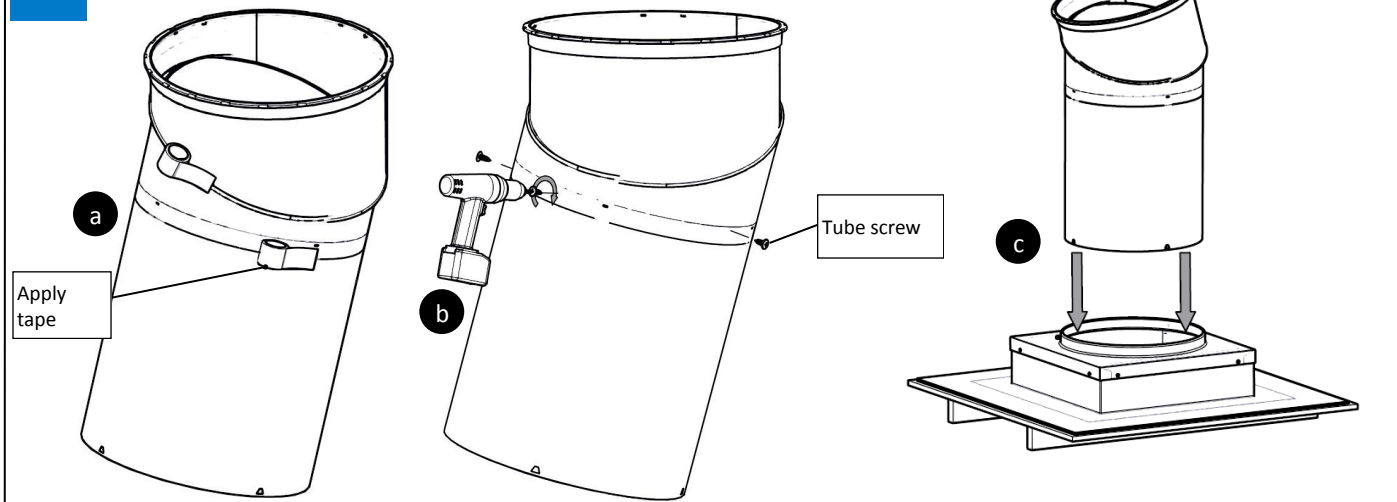
Assemble 610 mm Extension Tube(s)

Use notches to create tapered tube, with dome ring notches at the top, diffuser notches at the bottom



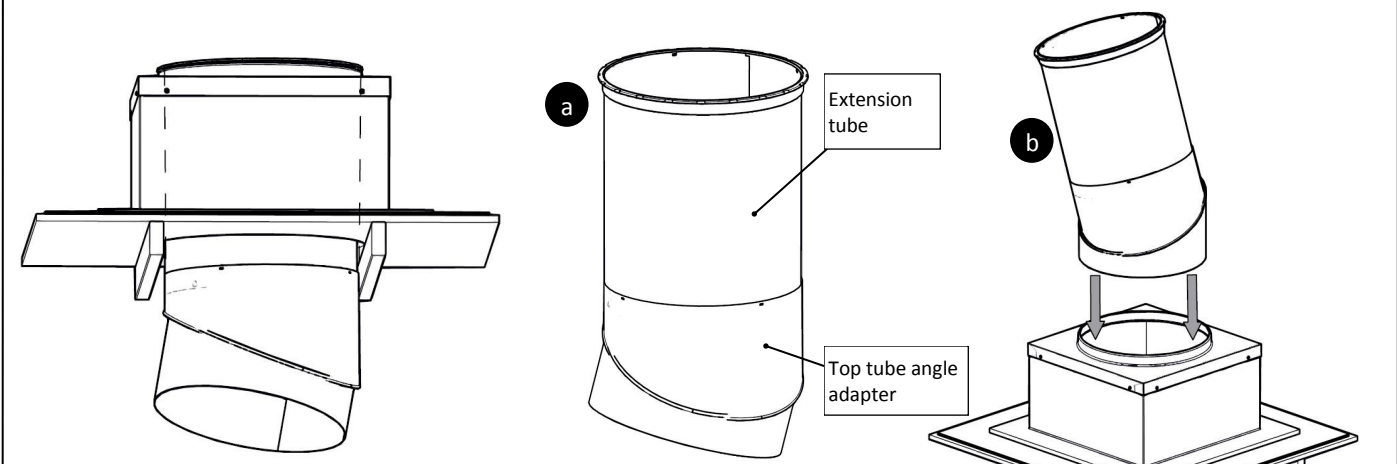
4

Assemble and Install tube run



5

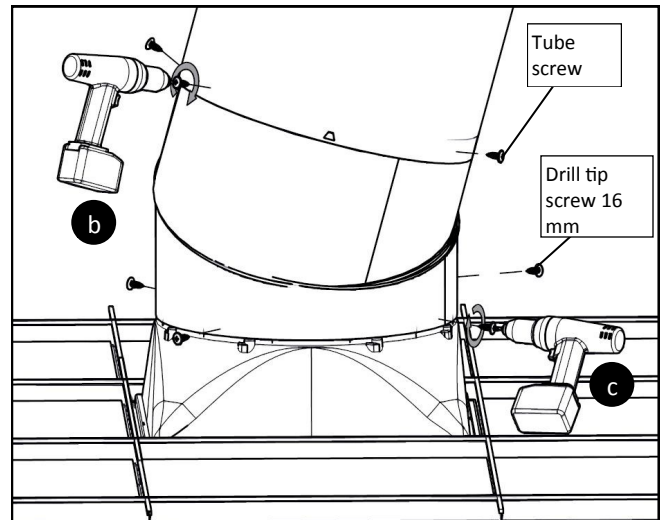
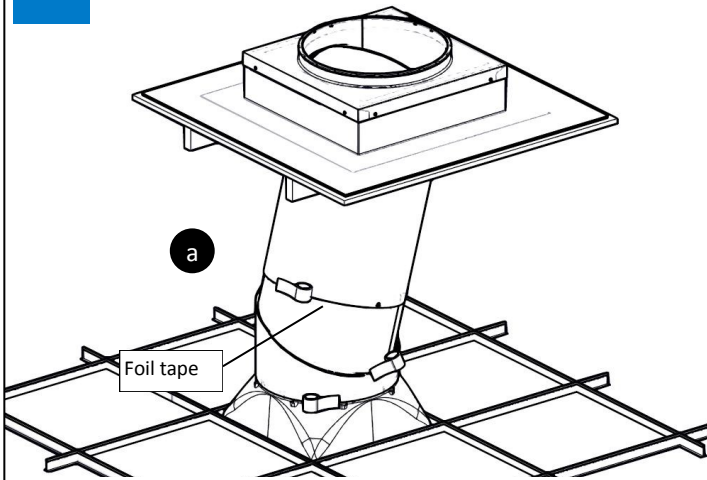
Alternative Tube Run — for curb heights or obstructing structural members that require an Extension Tube as the Top Tube, use configuration below:



Closed Ceiling—Suspended ceiling Installation Guide

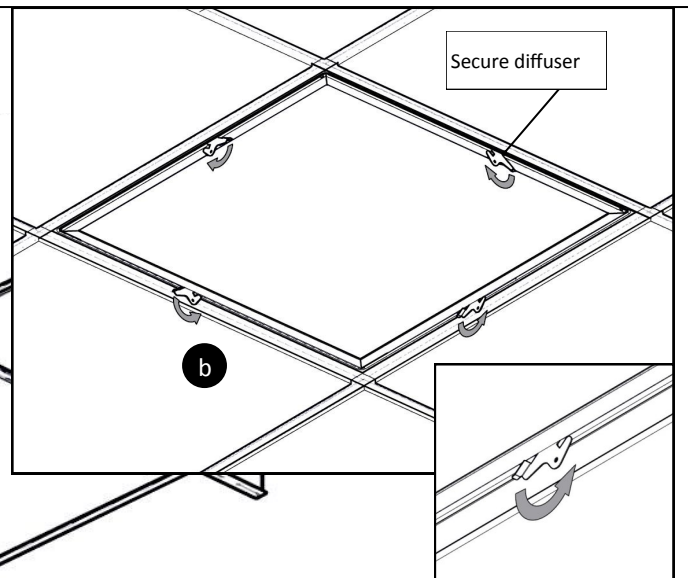
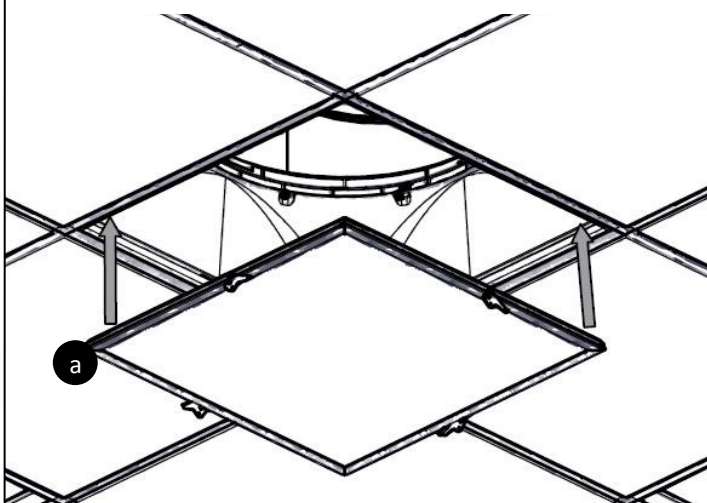
6

Connect Tube Run and Fasten to Transition Box



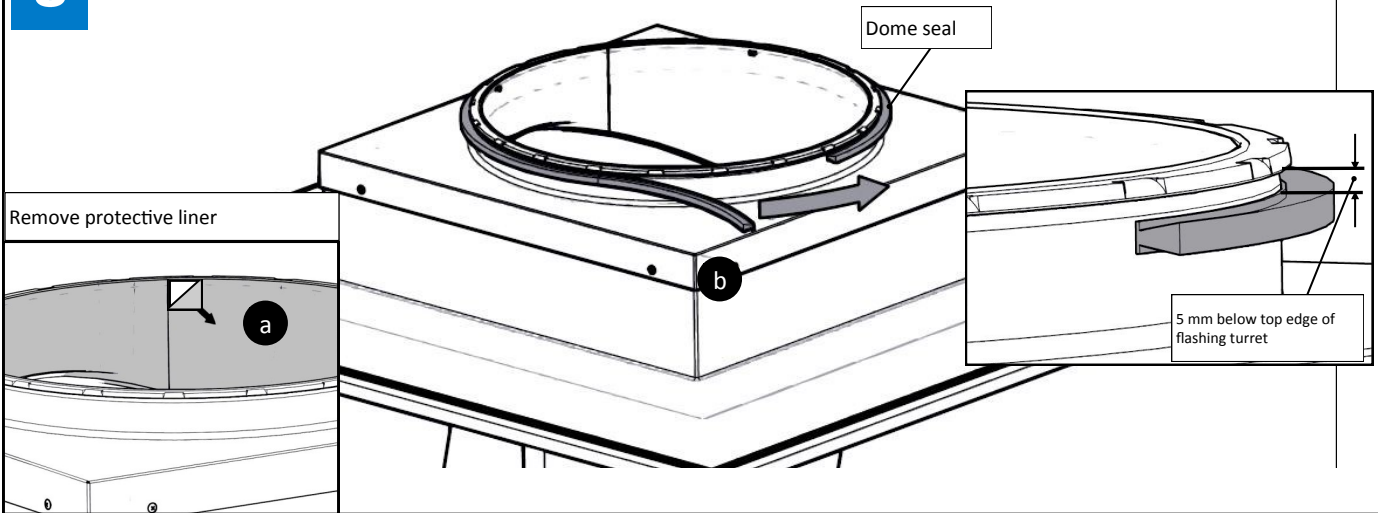
7

Install diffuser and Natural Effect lens (per separate installation guide supplied with lens)



8

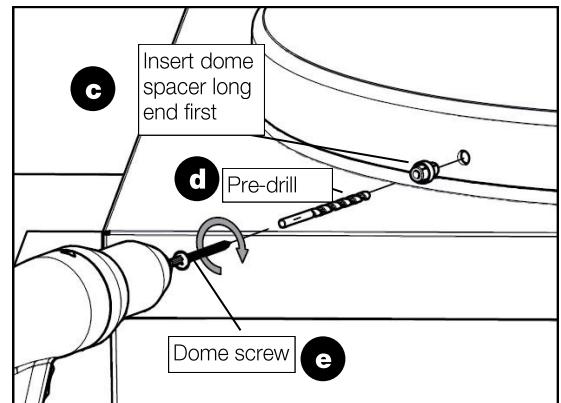
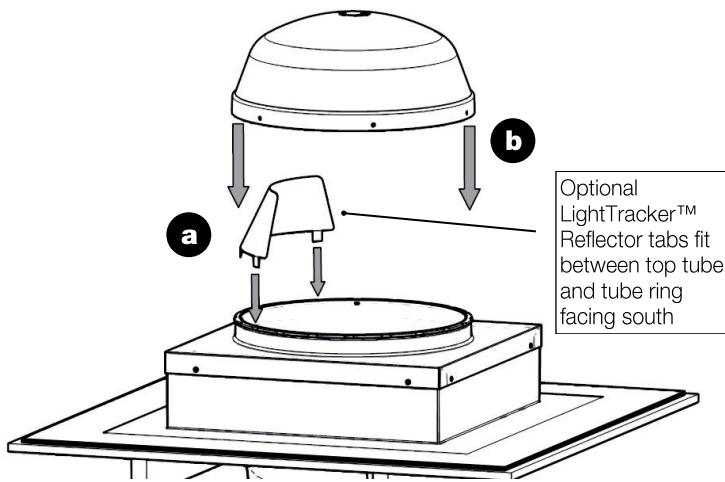
Install Dome Seal



9

Install 330 DS dome

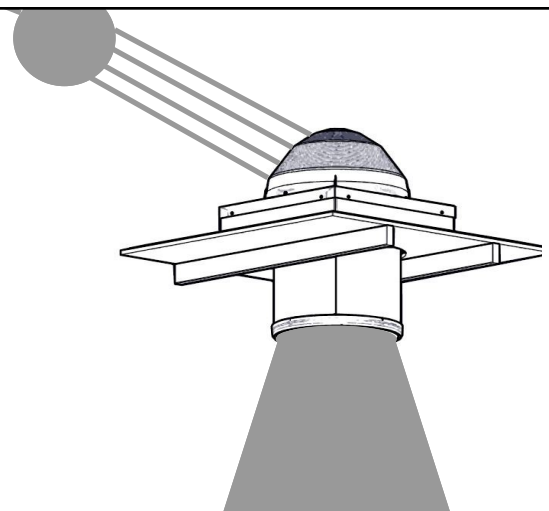
Optional LightTracker™ Reflector (for use only on north-facing or steep roofs, or wall-mounted applications)



10

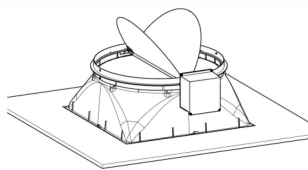
Enjoy the benefits of your Solatube Daylighting System and the high performance, natural lighting it provides

Note: Installation techniques shown may vary by region; please consult local building codes and you Solatube representatives for guidelines



Solatube Solamaster® Series accessories

Add more function by upgrading your Solatube Daylighting System with any of these great accessories.



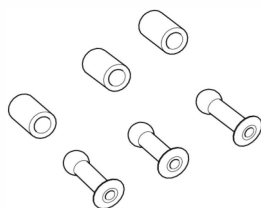
Daylight Dimmer

Because you don't need 100% of the light 100% of the time, the innovative Solatube Daylight Dimmer easily controls the amount of daylight entering a room with the convenience of a switch. Our patented variable butterfly baffle controls the light output.



Security Bar

This stainless steel bar insets into the flashing turret across the diameter of the opening. The bar is fastened using rivets and inhibits entry through the dome.



Dome Security Kit

This kit consists of three rivets with nylon spacers, which replace dome screws. The dome security kit reduces the possibility of the dome being removed.

Other accessories available:

Intumescent fire collars

Anti-ligature ceiling assemblies

Integrated LED light fitting (DALI compatible)

Add-on electric light kit



SOLATUBE®